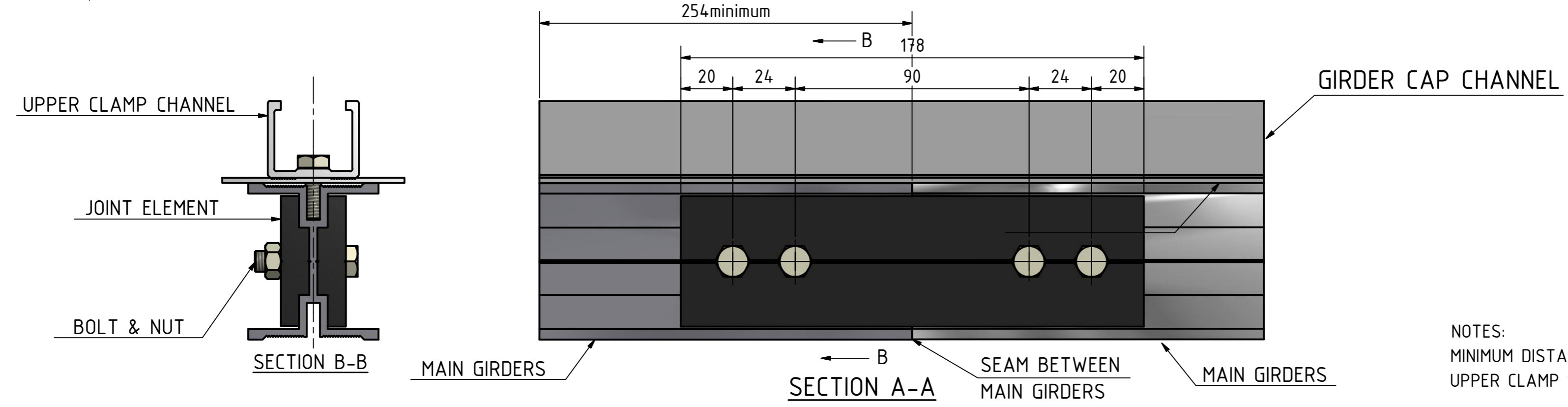
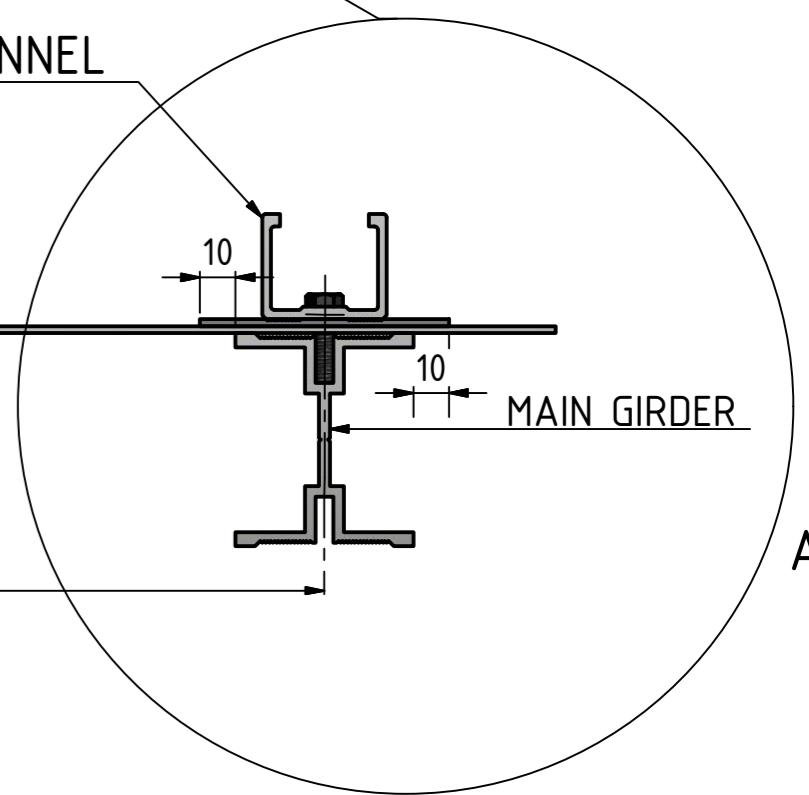
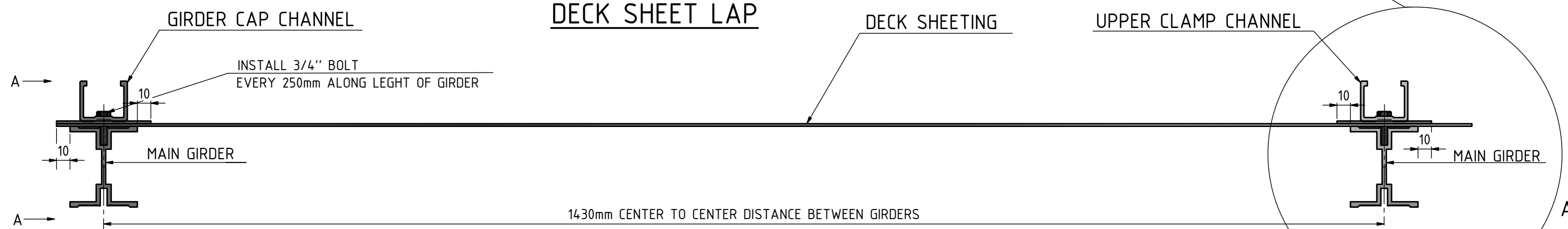
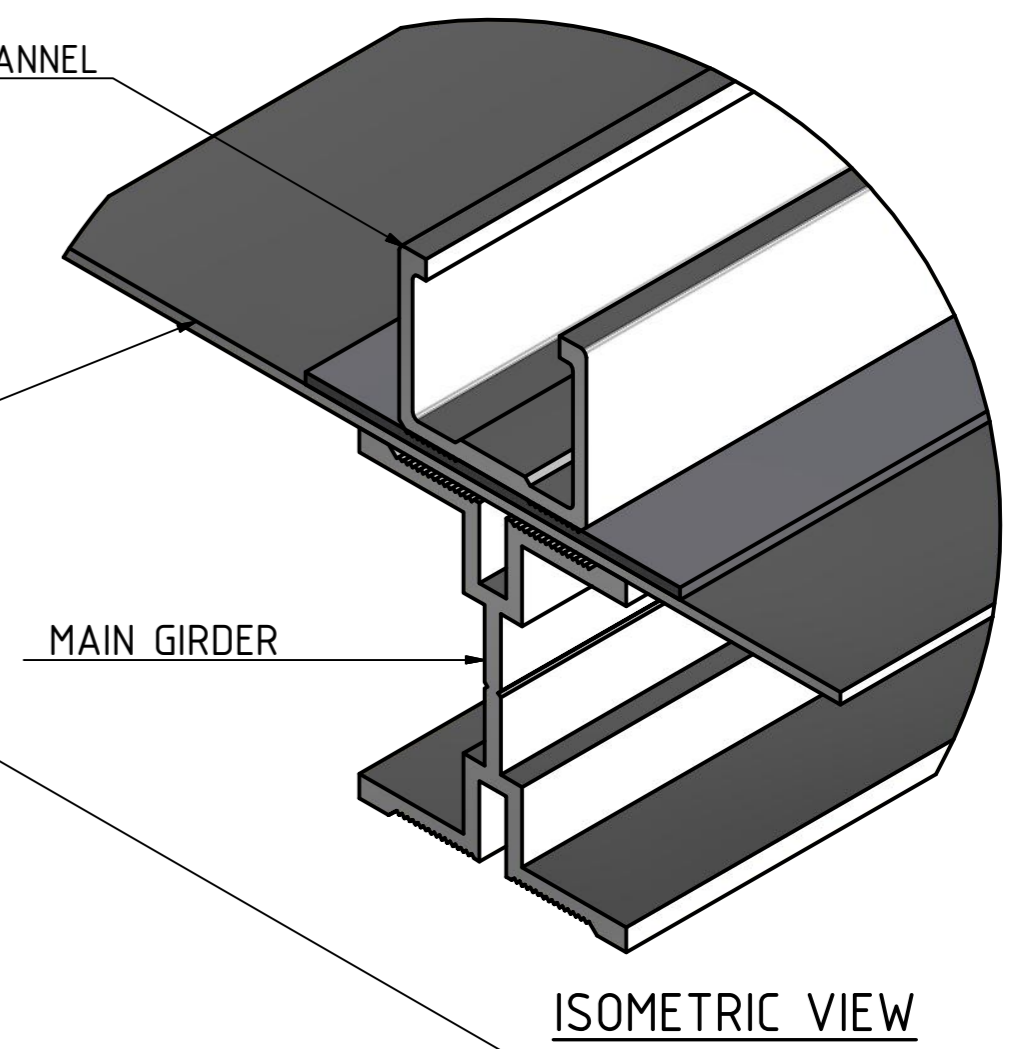
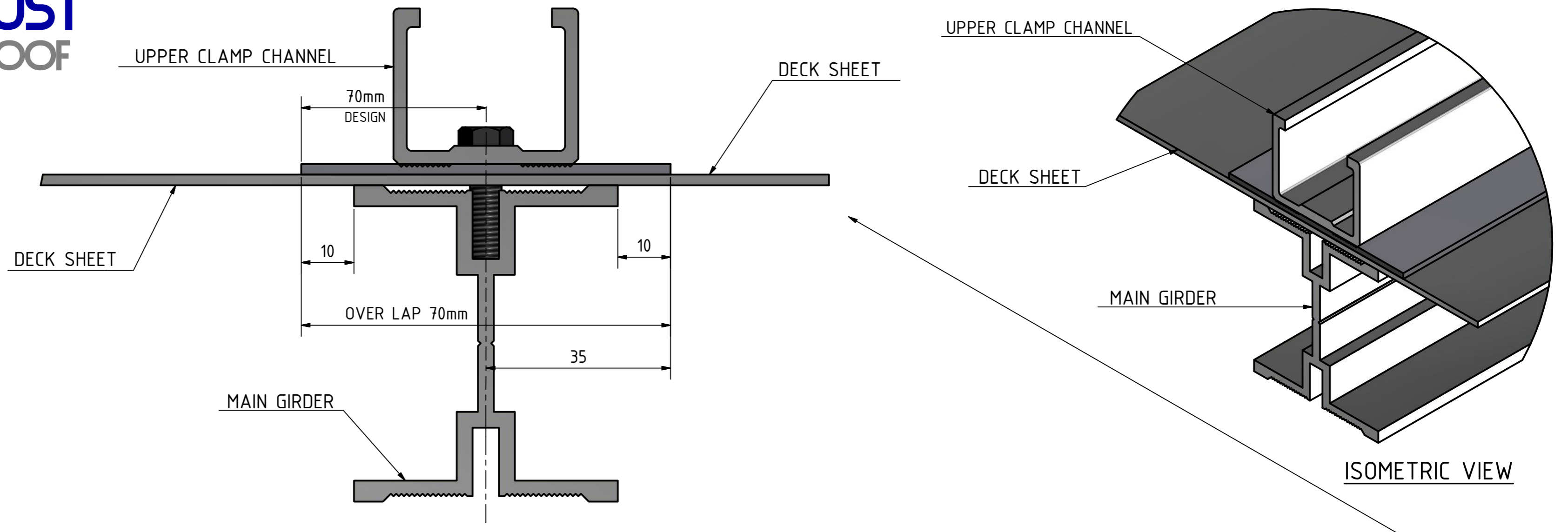


# ALUMAX-ROBUST

## INTERNAL FLOATING ROOF



NOTES:  
 MINIMUM DISTANCE BETWEEN MAIN GIRDER SEAM AND GIRDER  
 UPPER CLAMP SEAM MUST BE 10"(254mm)

DRAWN	Hakan CIMSIT				
CHECKED	Ihsan AKGUN				
APPROVED	Ihsan AKGUN				
FORMAT	DWG	SCALE			
DRAWING NO.:		REVISION NO.			
JOB NO.:		REV.	DESCRIPTION	NAME	DATE
REVISIONS					



THIS DRAWING IS THE PROPERTY OF AKTEK. IT IS NOT TO BE TRACED, COPIED OR PUBLISHED WITHOUT THEIR WRITTEN CONSENT OR TO BE MISUSED IN ANY WAY.					
PROJECT		CHECKED			
OWNER		APPROVED			
CLIENT		DATE			
DESCRIPTION:	ALUMAX-ROBUST INTERNAL FLOATING ROOF LOWER PROFILE DETAIL		DOCUMENT NO.:	12.200.AR.150.114	REVISION NO.:
			PURCHASE NO.:	J311.05.12	0