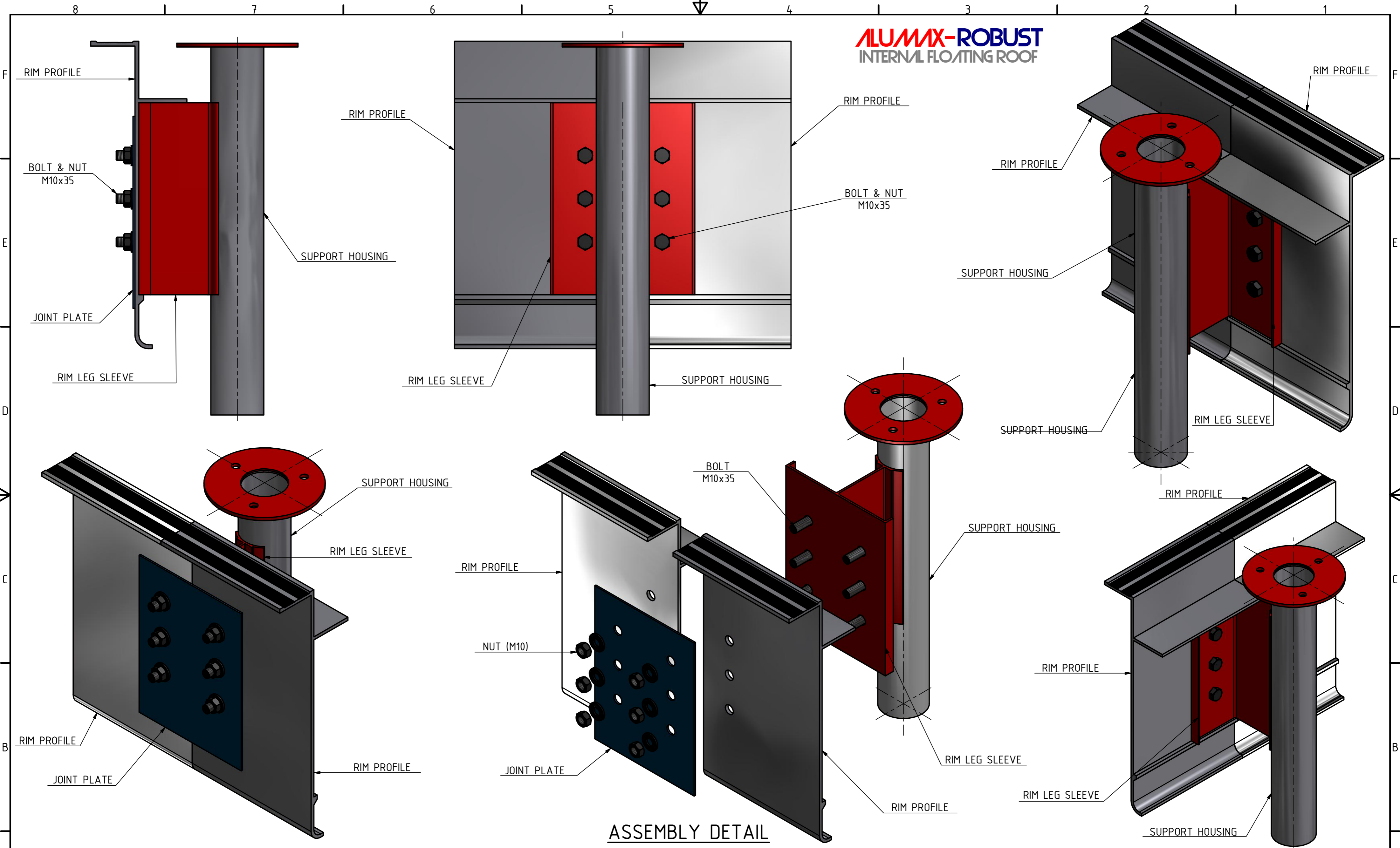


ALUMAX-ROBUST
INTERNAL FLOATING ROOF



ASSEMBLY DETAIL

DRAWN	Hakan CIMSIT								
CHECKED	Ihsan AKGUN								
APPROVED	Ihsan AKGUN								
FORMAT	DWG	SCALE							
DRAWING NO.:		REVISION NO.							
JOB NO.:		REV.	DESCRIPTION	NAME	DATE				
REVISIONS									



THIS DRAWING IS THE PROPERTY OF AKTEK. IT IS NOT TO BE TRACED, COPIED OR PUBLISHED WITHOUT THEIR WRITTEN CONSENT OR TO BE MISUSED IN ANY WAY.										
PROJECT		CHECKED								
OWNER		APPROVED								
CLIENT		DATE								
DESCRIPTION:	ALUMAX-ROBUST INTERNAL FLOATING ROOF PERIPHERAL LEG SUPPORT ASSEMBLY						DOCUMENT NO.:	12.200.AR.150.118	REVISION NO.	0
							PURCHASE NO.:	J311.05.12		